

TECHNICAL DATA SHEET

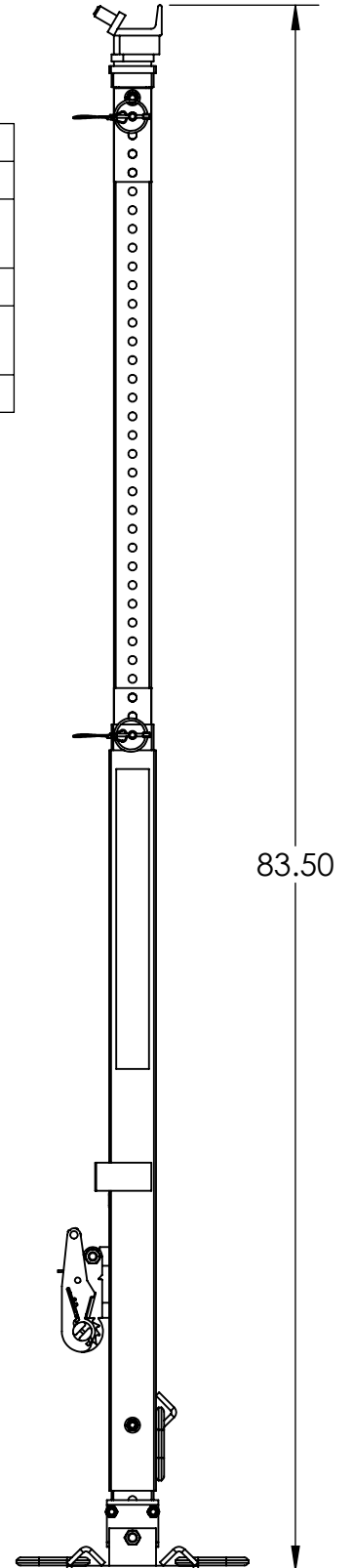
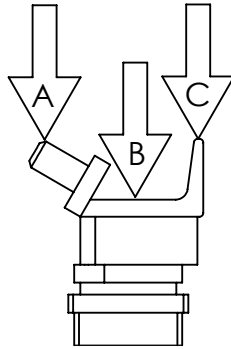
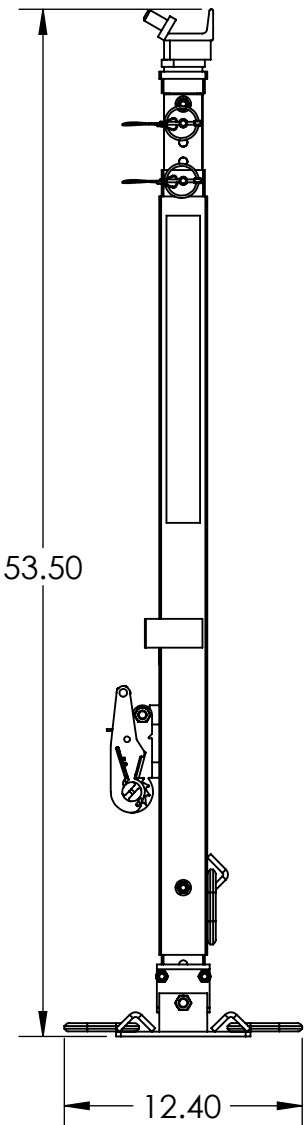
DATE UPDATED:
8/5/2015

TITLE:
STEEL X-STRUT LONG

PART NO.
STX-STRT

Res-Q-Jack®

LOAD RATINGS (2:1) SAFETY FACTOR		
LOCATION		WEIGHT (LBS)
A	TIP OF ROUND POINT	4,000
B	COLUMN LOAD	4,000
C	TIP OF CHAIN GRAB	3,200
LIFTING WLL		4,000



STRUT WEIGHT	39 LBS
JACK WEIGHT	22 LBS

TECHNICAL DATA SHEET

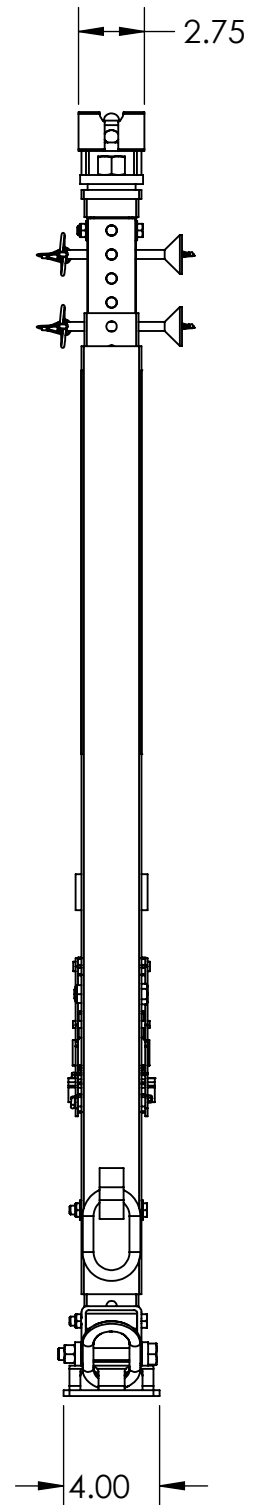
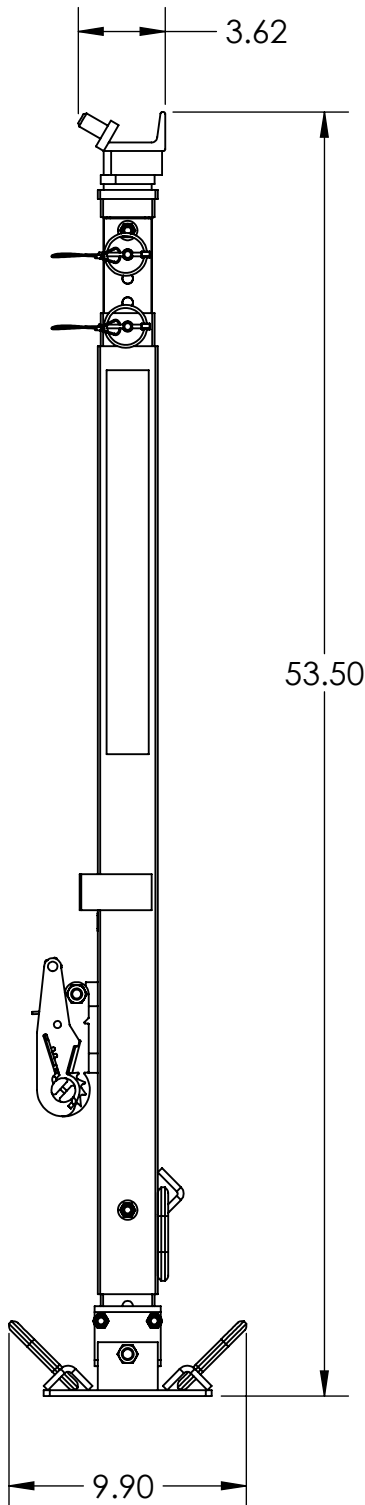
DATE UPDATED:
8/5/2015

TITLE:
STEEL X-STRUT LONG

PART NO.
STX-STRT

Res-Q-Jack®

STORAGE DIMENSIONS WITH OUT JACK



TECHNICAL DATA SHEET

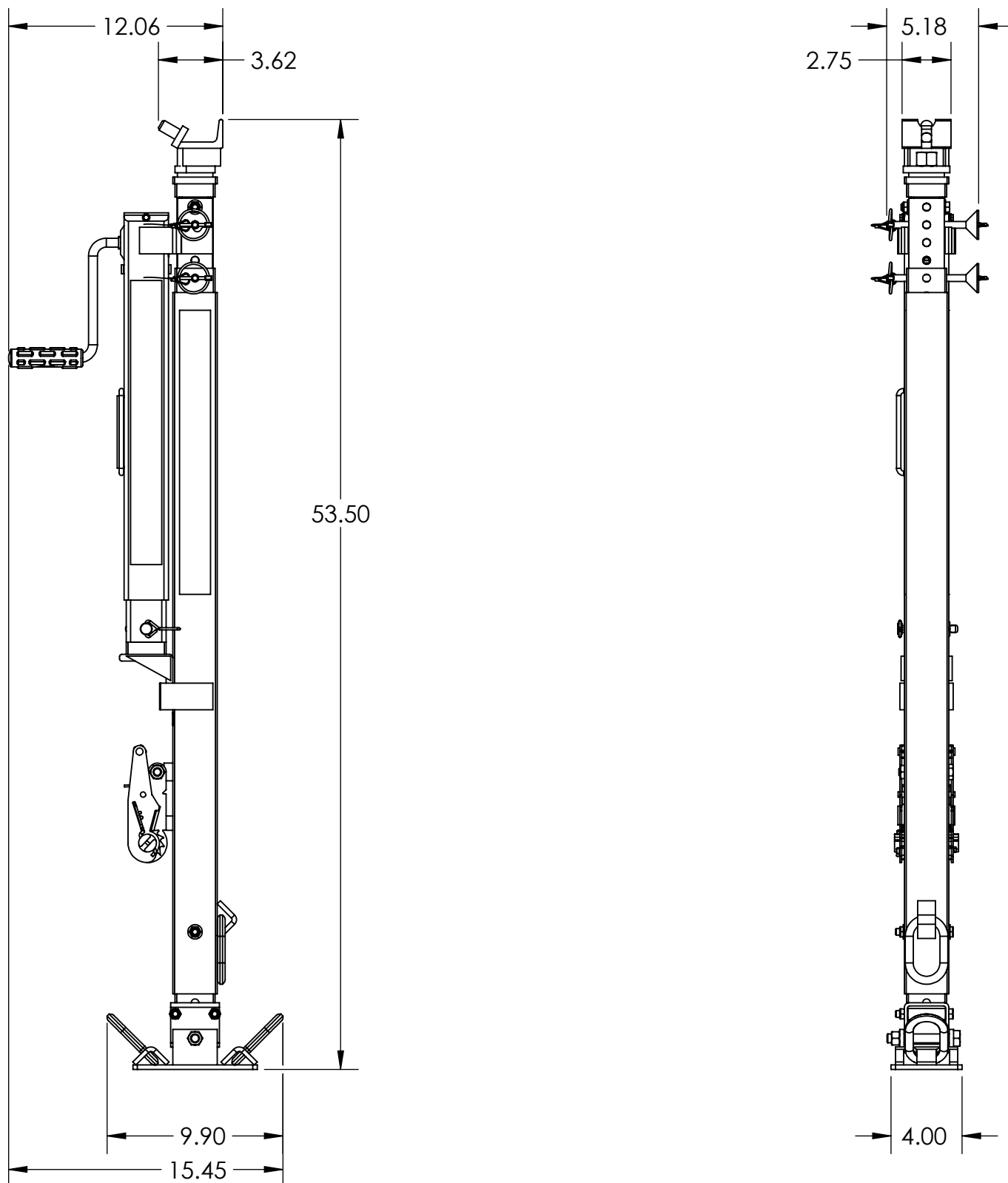
DATE UPDATED:
8/5/2015

TITLE:
STEEL X-STRUT LONG

PART NO.
STX-STRT

Res-Q-Jack®

STORAGE DIMENSIONS WITH JACK



TECHNICAL DATA SHEET

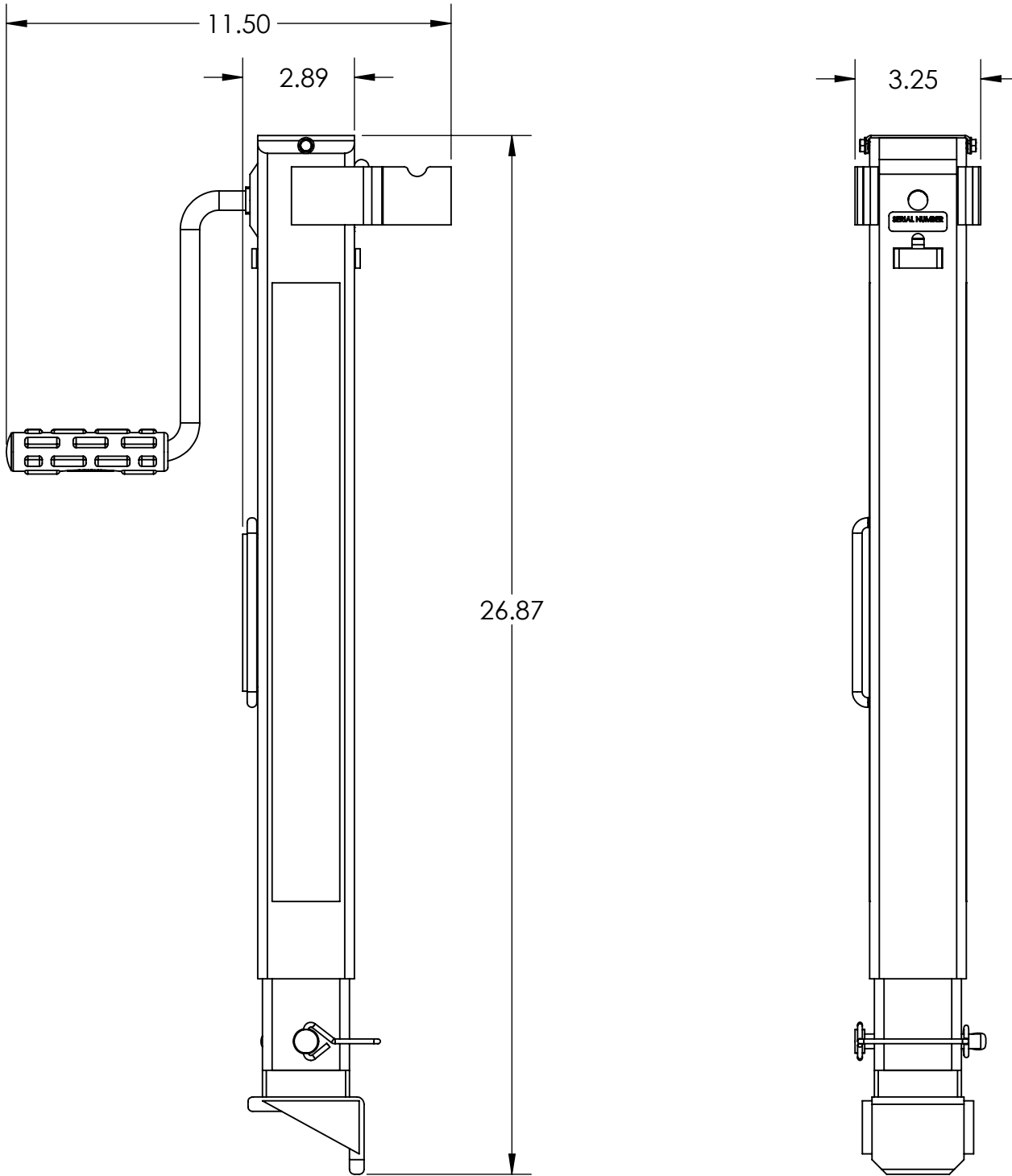
DATE UPDATED:
8/5/2015

TITLE:
STEEL X-STRUT LONG

PART NO.
STX-STRT

Res-Q-Jack®

JACK STORAGE DIMENSIONS



TECHNICAL DATA SHEET

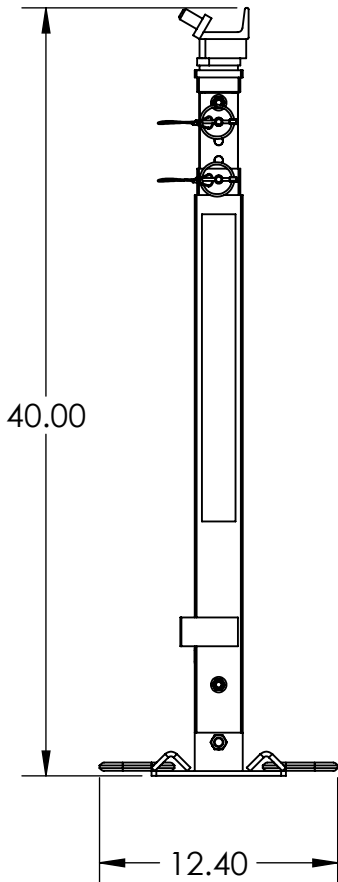
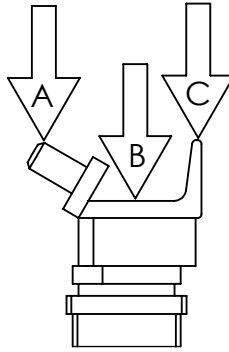
DATE UPDATED:
8/5/2015

TITLE:
STEEL X-STRUT SHORT

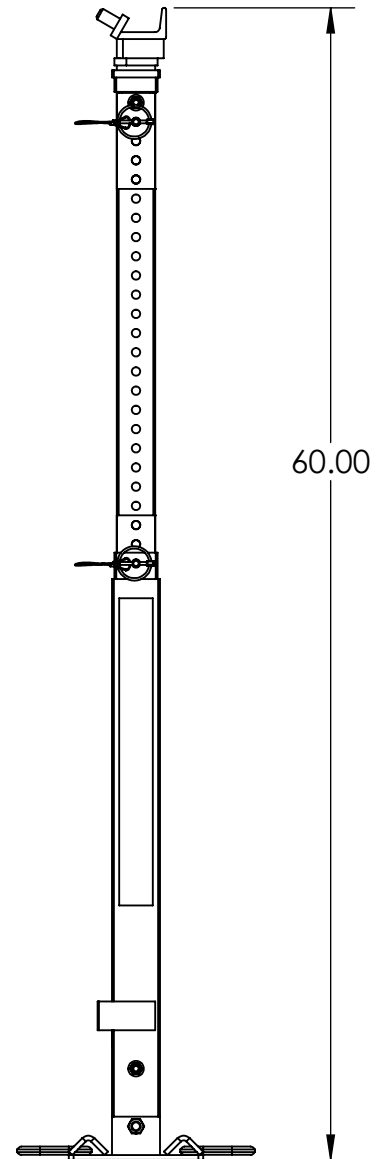
PART NO.
SSX-STRT

Res-Q-Jack®

LOAD RATINGS (2:1) SAFETY FACTOR)		
LOCATION		WEIGHT (LBS)
A	TIP OF ROUND POINT	4,000
B	COLUMN LOAD	4,000
C	TIP OF CHAIN GRAB	3,200
LIFTING WLL		4,000



STRUT WEIGHT	28 LBS
JACK WEIGHT	22 LBS



TECHNICAL DATA SHEET

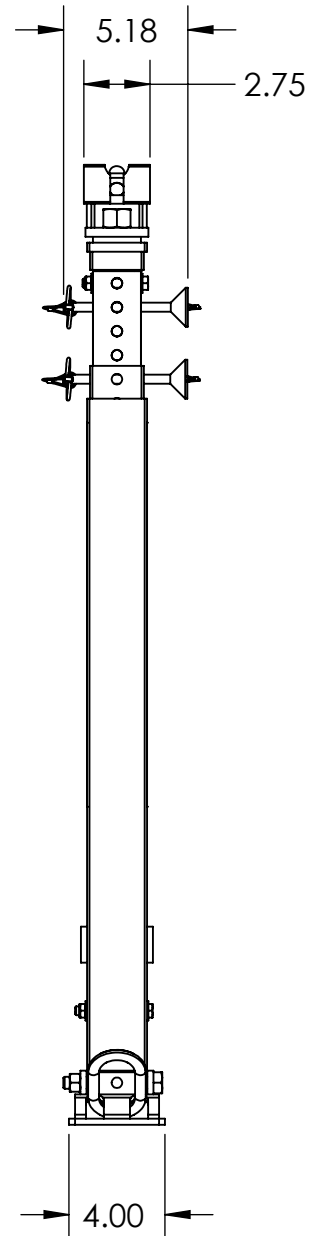
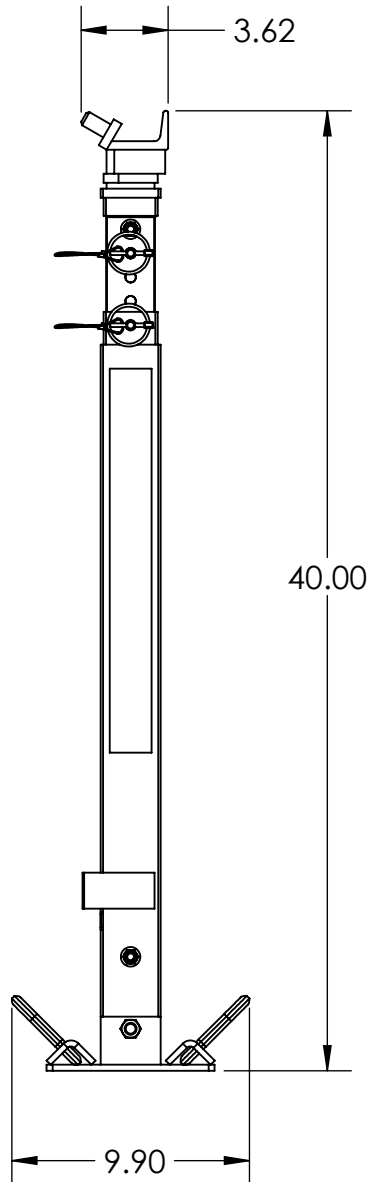
DATE UPDATED:
8/5/2015

TITLE:
STEEL X-STRUT SHORT

PART NO.
SSX-STRT

Res-Q-Jack®

STORAGE DIMENSIONS WITH OUT JACK



TECHNICAL DATA SHEET

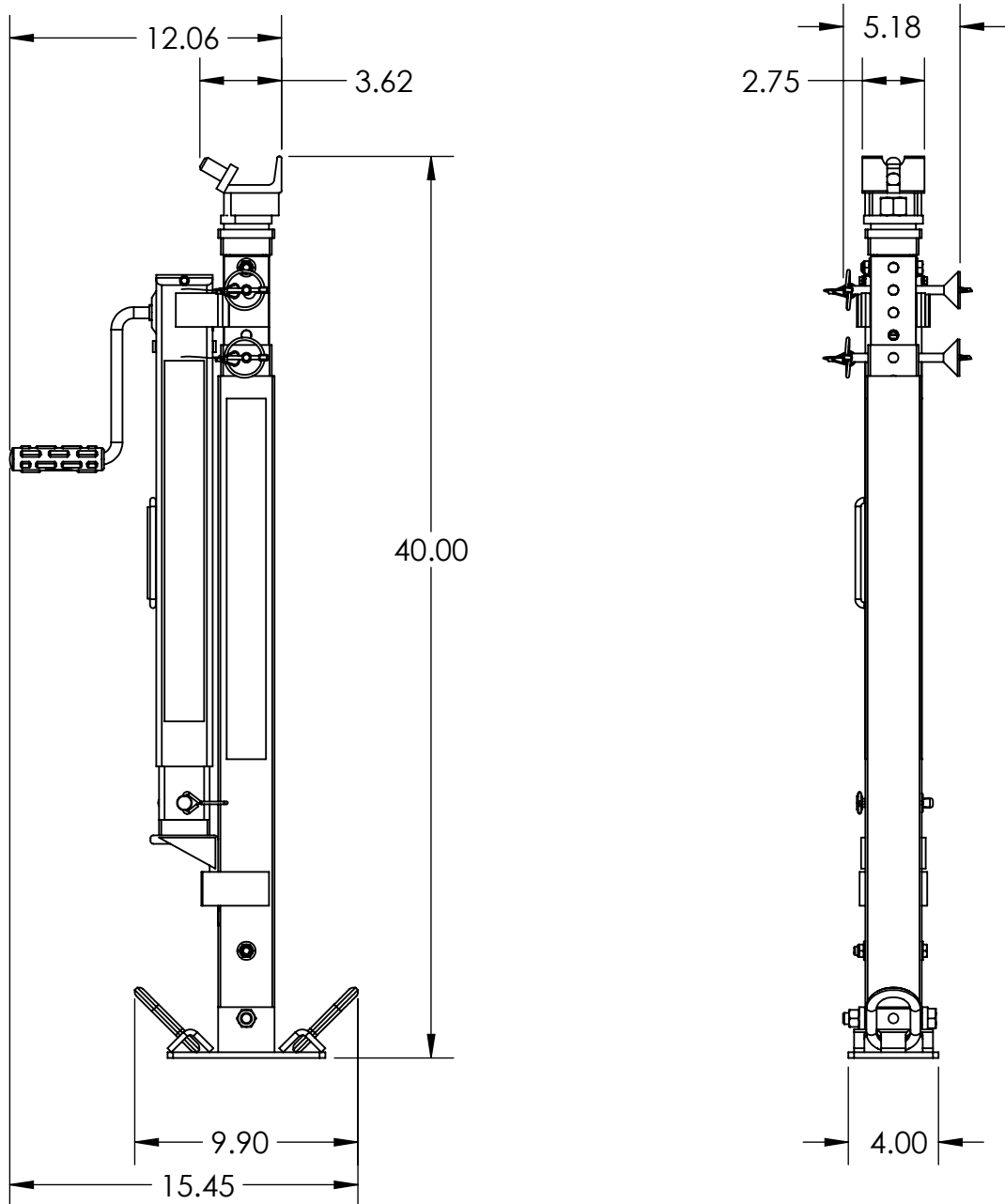
DATE UPDATED:
8/5/2015

TITLE:
STEEL X-STRUT SHORT

PART NO.
SSX-STRT

Res-Q-Jack®

STORAGE DIMENSIONS WITH JACK



TECHNICAL DATA SHEET

DATE UPDATED:
8/5/2015

TITLE:
STEEL X-STRUT SHORT

PART NO.
SSX-STRT

Res-Q-Jack®

JACK STORAGE DIMENSIONS

