

TECHNICAL DATA SHEET

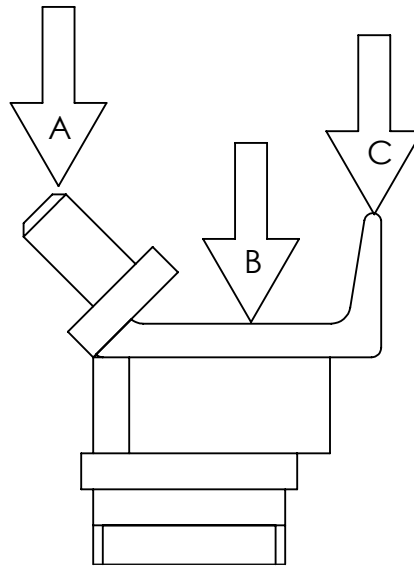
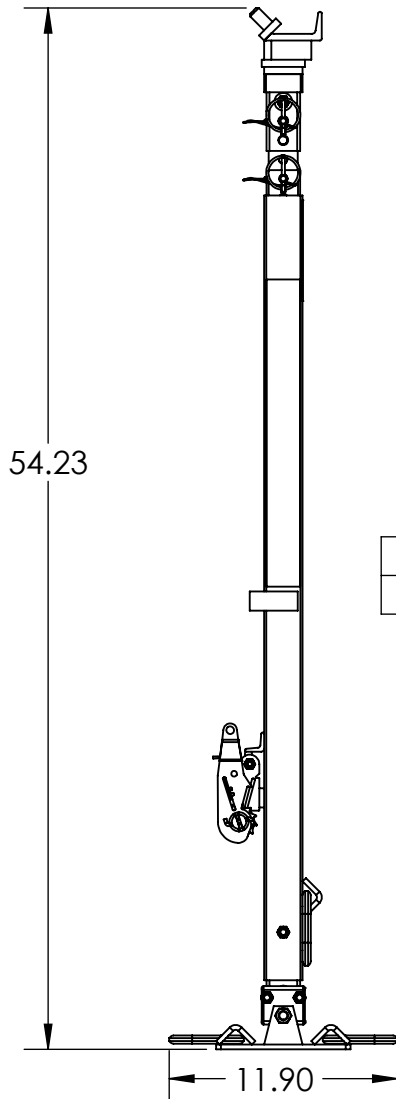
DATE UPDATED:
7/9/2015

TITLE:
GREEN LITE X-STRUT

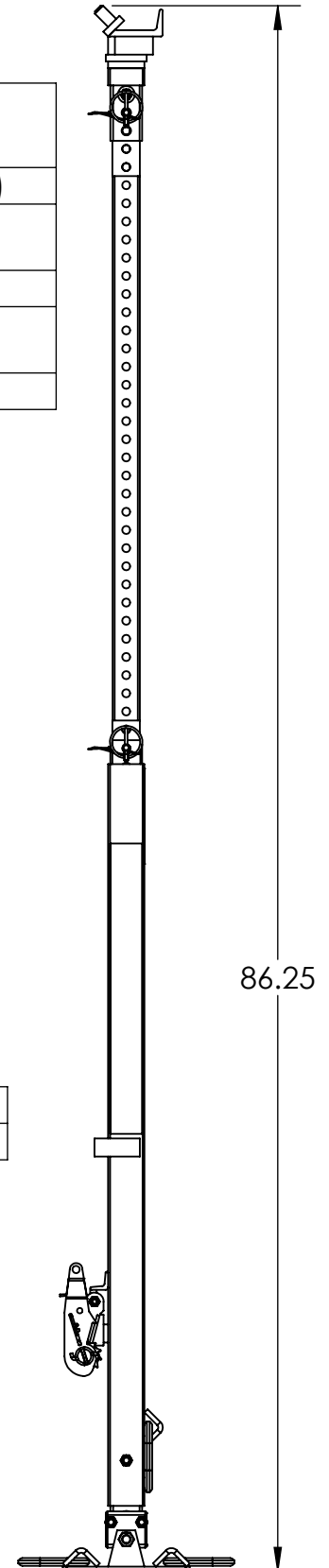
PART NO.
GLX-STRT

Res-Q-Jack®

LOAD RATINGS (2:1 SAFETY FACTOR)		
LOCATION		WEIGHT (LBS)
A	TIP OF ROUND POINT	2,100
B	COLUMN LOAD	2,500
C	TIP OF CHAIN GRAB	1,900
LIFTING WLL		2,500



STRUT WEIGHT	31 LBS
JACK WEIGHT	16 LBS



TECHNICAL DATA SHEET

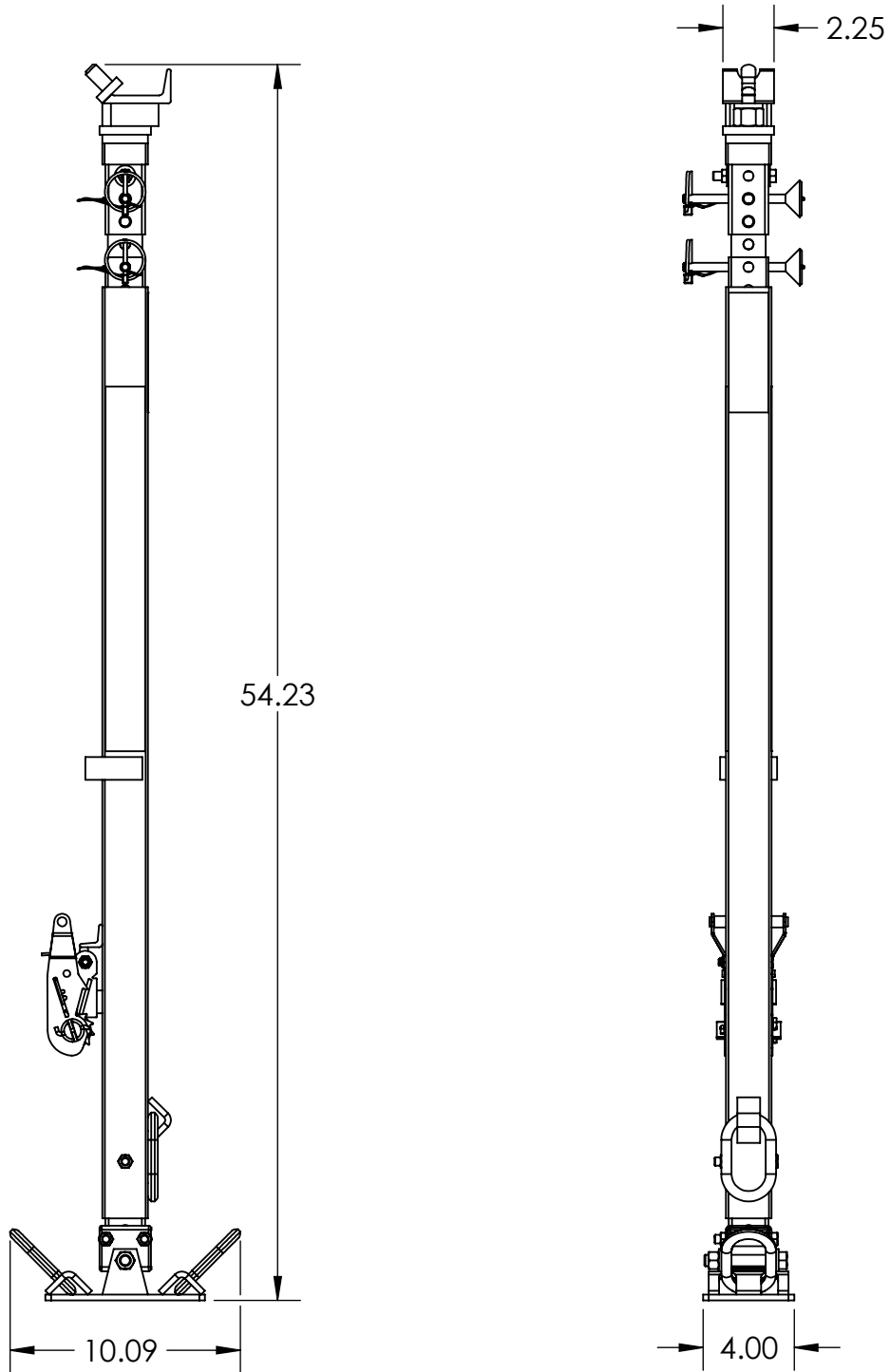
DATE UPDATED:
7/9/2015

TITLE:
GREEN LITE X-STRUT

PART NO.
GLX-STRT

Res-Q-Jack®

STORAGE DIMENSIONS WITH OUT JACK



TECHNICAL DATA SHEET

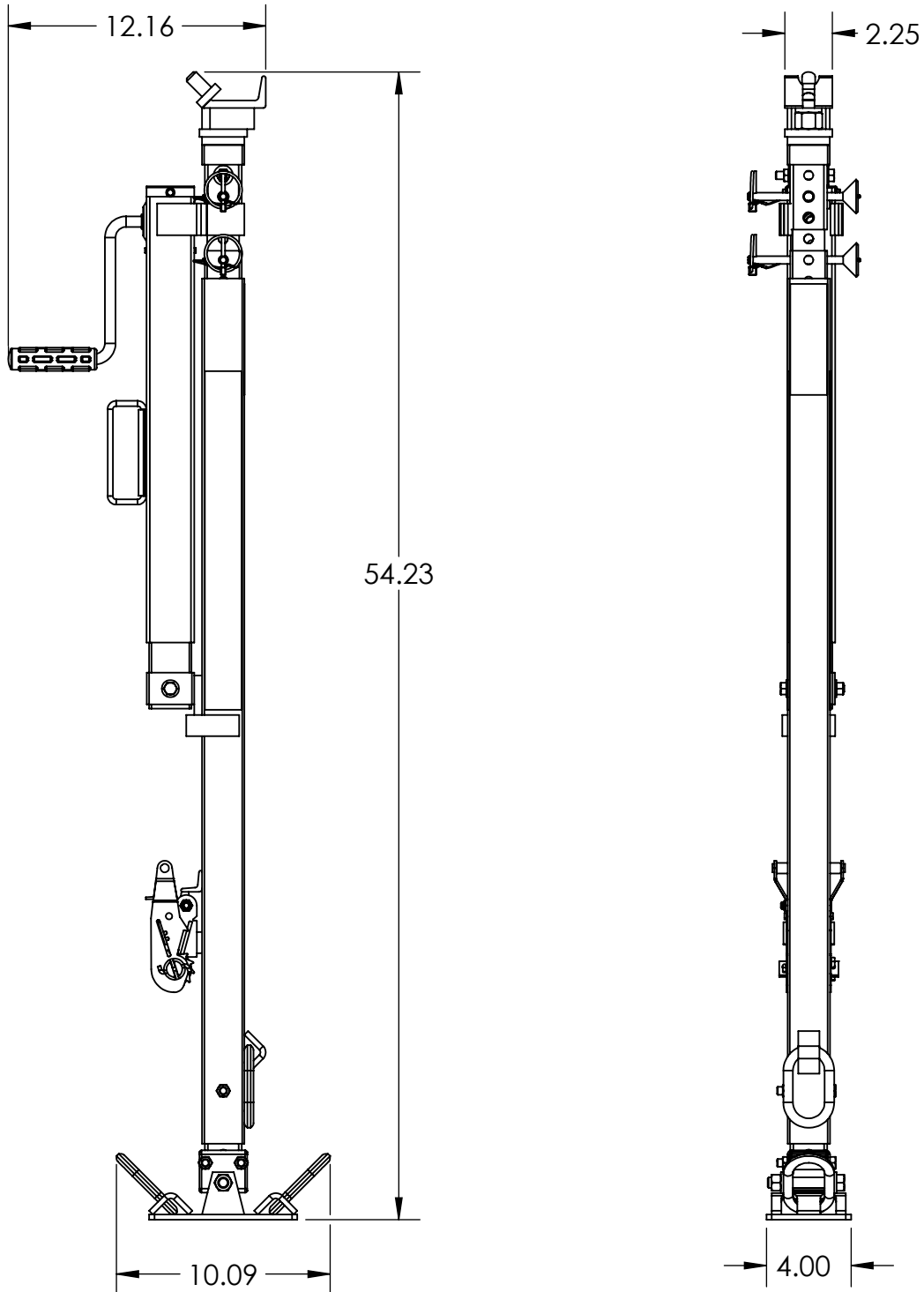
DATE UPDATED:
7/9/2015

TITLE:
GREEN LITE X-STRUT

PART NO.
GLX-STRT

Res-Q-Jack®

STORAGE DIMENSIONS WITH JACK



TECHNICAL DATA SHEET

DATE UPDATED:
7/9/2015

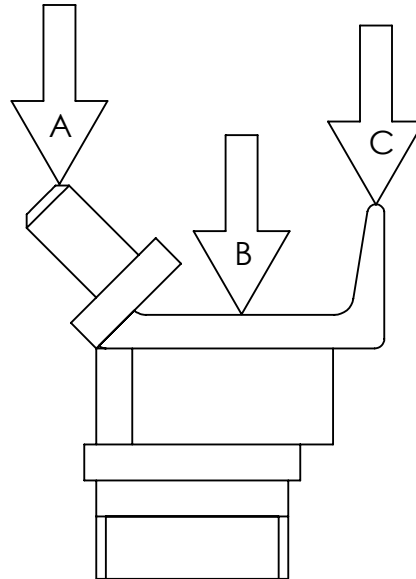
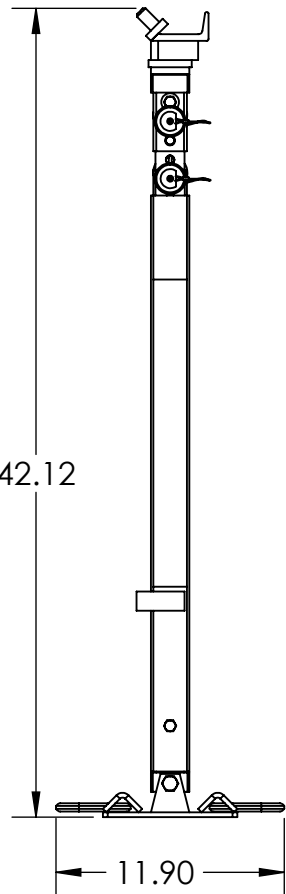
TITLE:
SHORT GREEN LITE X-STRUT

PART NO.
SGL-STRT

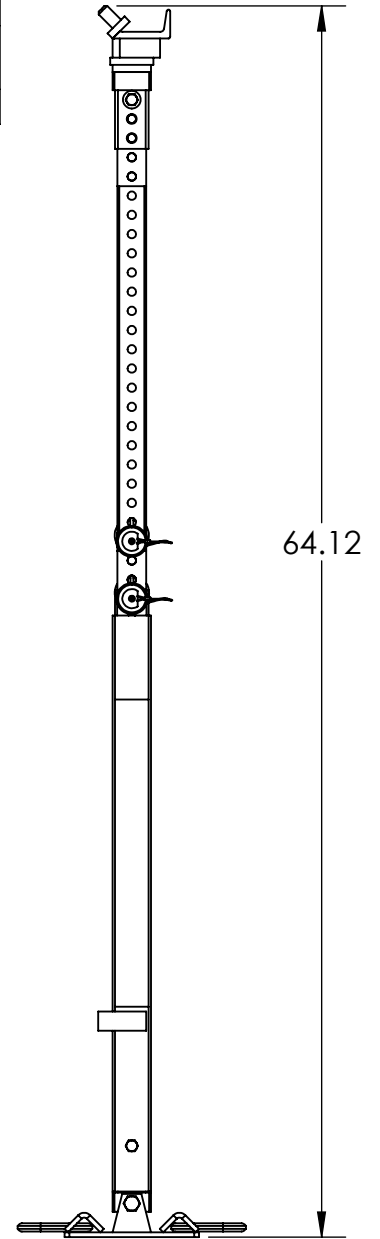
Res-Q-Jack®

LOAD RATINGS (2:1 SAFETY FACTOR)

LOCATION		WEIGHT (LBS)
A	TIP OF ROUND POINT	2,100
B	COLUMN LOAD	2,500
C	TIP OF CHAIN GRAB	1,900
LIFTING WLL		2,500



STRUT WEIGHT	23 LBS
JACK WEIGHT	16 LBS



TECHNICAL DATA SHEET

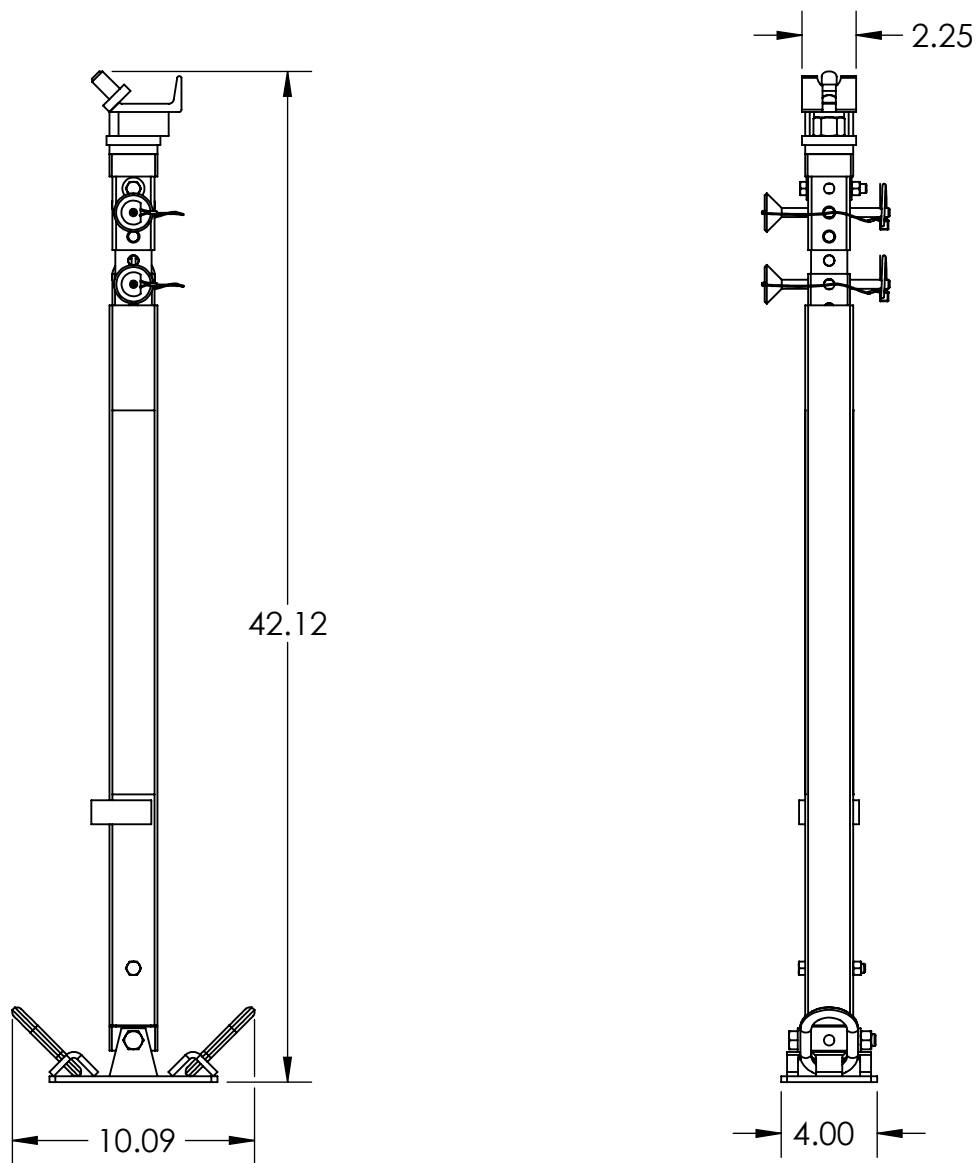
DATE UPDATED:
7/9/2015

TITLE:
SHORT GREEN LITE X-STRUT

PART NO.
SGL-STRT

Res-Q-Jack®

STORAGE DIMENSIONS WITH OUT JACK



TECHNICAL DATA SHEET

DATE UPDATED:
7/9/2015

TITLE:
SHORT GREEN LITE X-STRUT

PART NO.
SGL-STRT

Res-Q-Jack®

STORAGE DIMESIONS WITH JACK

