

TECHNICAL DATA SHEET

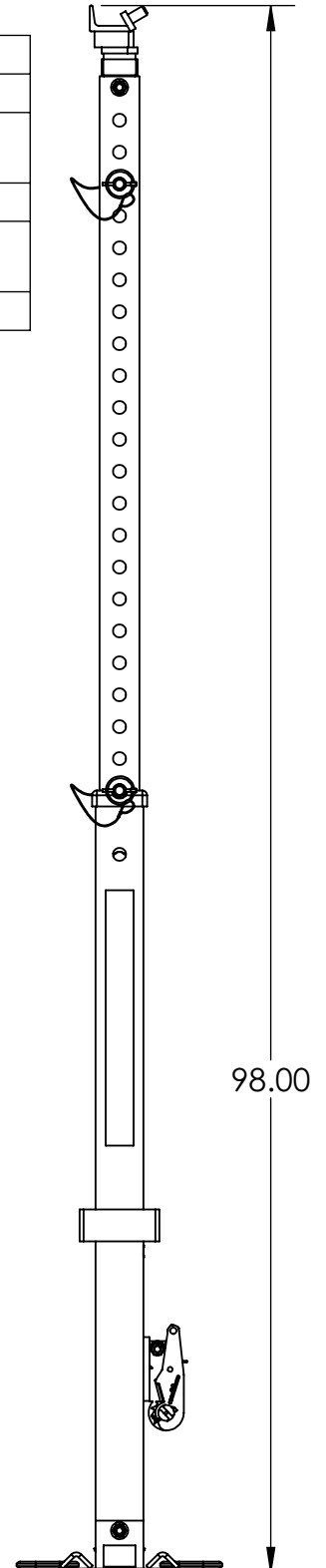
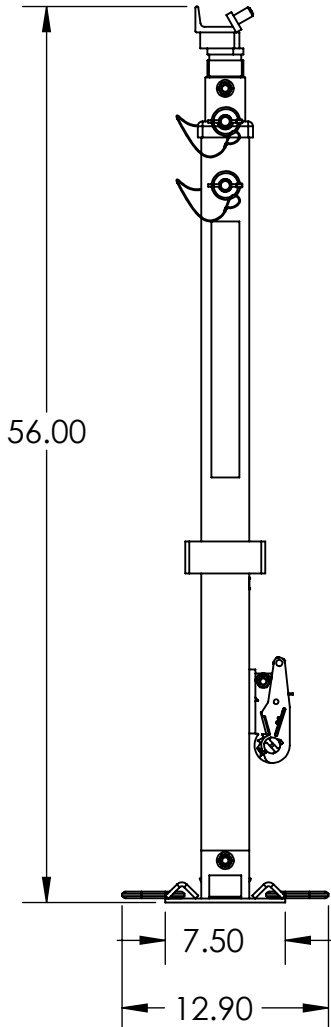
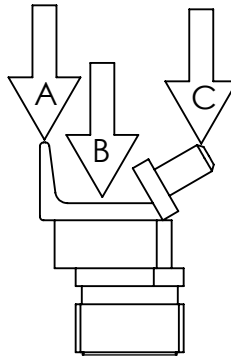
DATE UPDATED:
11/24/2015

Res-Q-Jack®

TITLE:
ALUMINUM X-STRUT

PART NO.
ALX-STR1

| LOAD RATINGS(2:1 SAFETY FACTOR) | | |
|---------------------------------|--------------------|--------------|
| LOCATION | | WEIGHT (LBS) |
| A | TIP OF CHAIN GRAB | 5,600 |
| B | COLUMN | 9,700 |
| C | TIP OF ROUND POINT | 6,700 |
| LIFTING WLL | | 6,000 |



| | |
|--------------|--------|
| STRUT WEIGHT | 42 LBS |
| JACK WEIGHT | 22 LBS |

TECHNICAL DATA SHEET

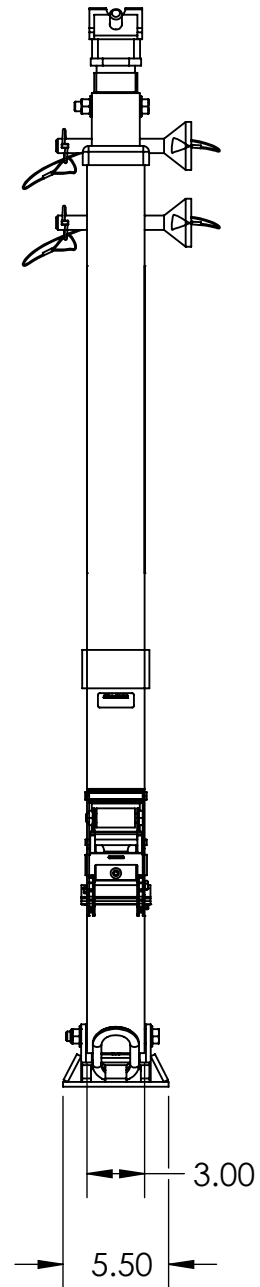
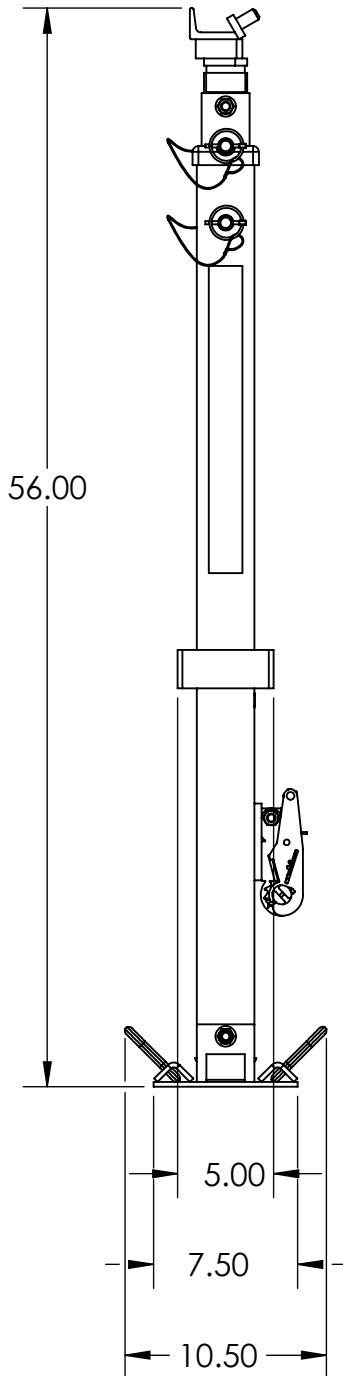
DATE UPDATED:
11/24/2015

TITLE:
ALUMINUM X-STRUT

PART NO.
ALX-STRT

Res-Q-Jack®

STORAGE DIMENSIONS



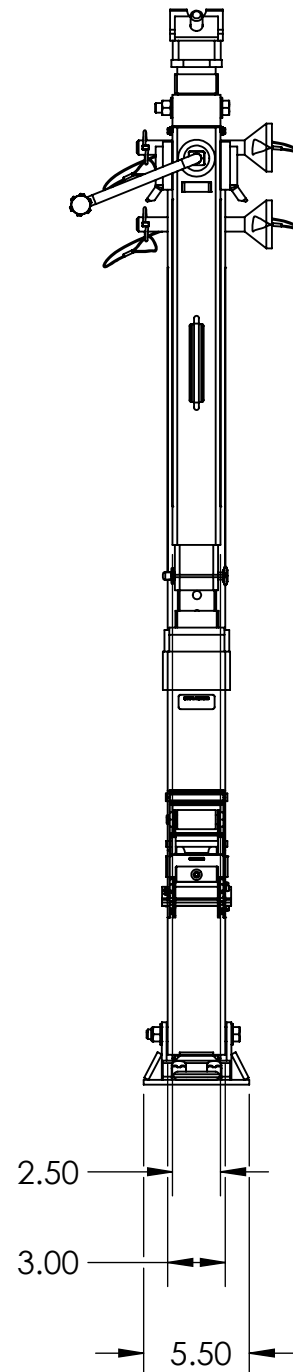
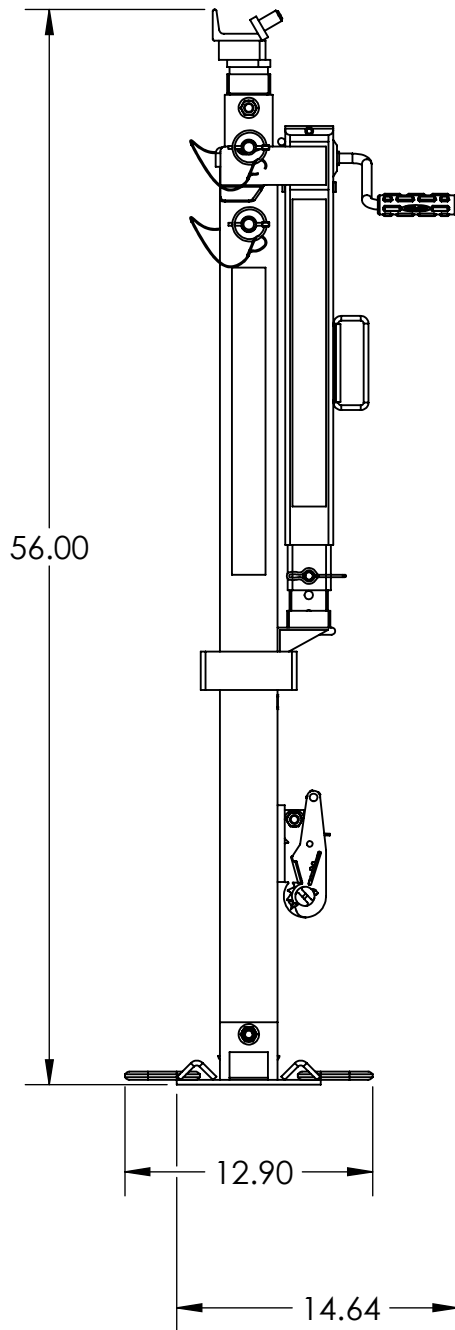
TECHNICAL DATA SHEET

DATE UPDATED:
11/24/2015

TITLE:
ALUMINUM X-STRUT

PART NO.
ALX-STRT

Res-Q-Jack®



TECHNICAL DATA SHEET

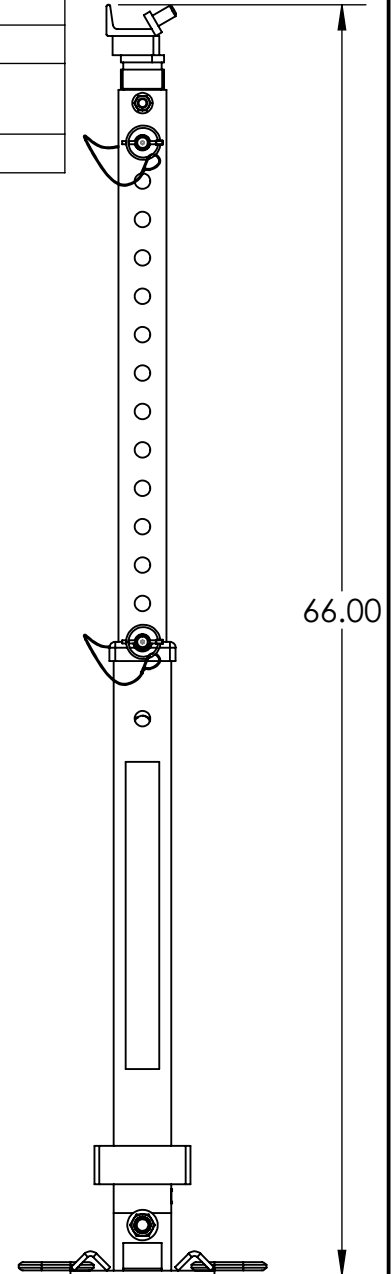
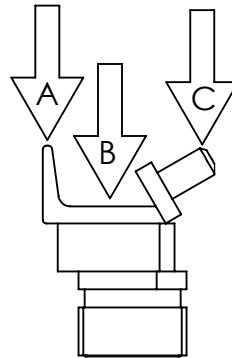
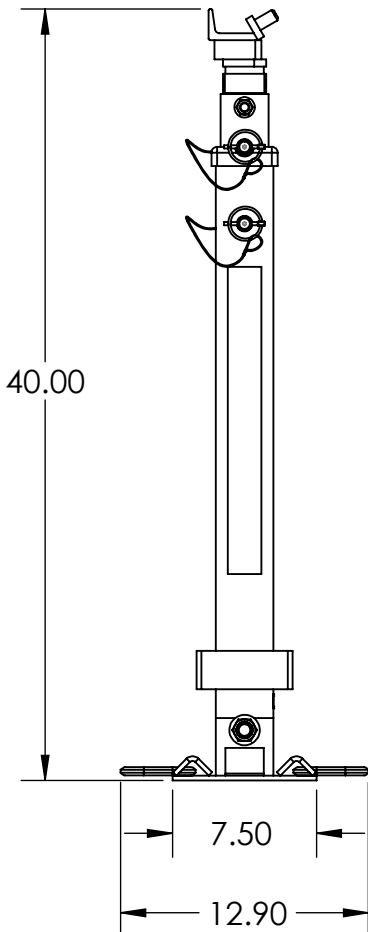
DATE UPDATED:
11/24/2015

Res-Q-Jack®

TITLE:
SHORT ALUMINUM X-STRUT

PART NO.
SAX-STRT

| LOAD RATINGS (2:1 SAFETY FACTOR) | | |
|----------------------------------|--------------------|--------------|
| LOCATION | | WEIGHT (LBS) |
| A | TIP OF CHAIN GRAB | 5,600 |
| B | COLUMN | 9,700 |
| C | TIP OF ROUND POINT | 6,700 |
| LIFTING WLL | | 6,000 |



| | |
|--------------|--------|
| STRUT WEIGHT | 30 LBS |
| JACK WEIGHT | 22 LBS |

TECHNICAL DATA SHEET

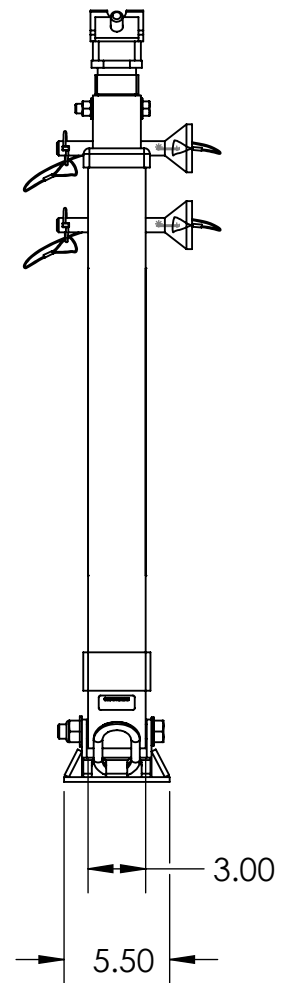
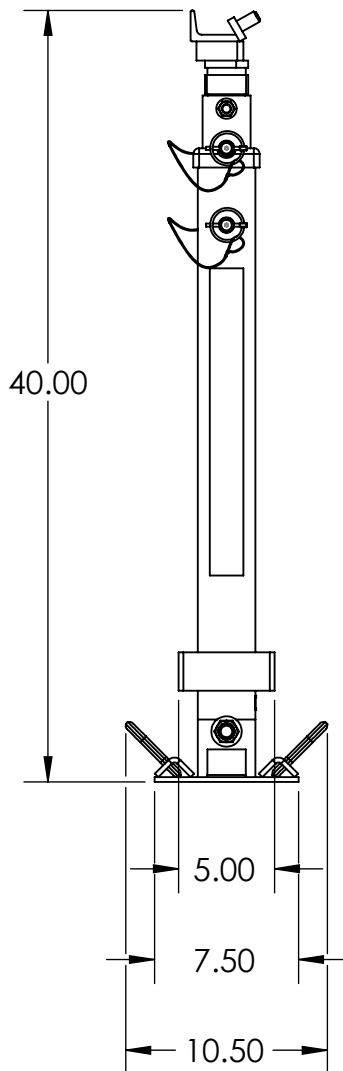
DATE UPDATED:
11/24/2015

TITLE:
SHORT ALUMINUM X-STRUT

PART NO.
SAX-STRT

Res-Q-Jack®

STORAGE DIMENSIONS



TECHNICAL DATA SHEET

DATE UPDATED:
11/24/2015

TITLE:
SHORT ALUMINUM X-STRUT

PART NO.
SAX-STRT

Res-Q-Jack®

